

MAKE YOURSELF A BRAND

Quality to win the world

WINMAX UPVC INDIA PVT.LTD.

RAMGARH-829117
JHARKHAND
www.winmaxupvc.com

WINMAX UPVC INDIA PVT. LTD.
www.winmaxupvc.com



▶ COMPANY PROFILE

Winmax Upvc Profile co., Ltd

Winmax Upvc Profile co., Ltd was established in 1997 and located in Xinxiang city ,Henan province. Our company is specialized in manufacturing uPVC plastic profiles for windows and doors system with 16 years experience, covering an area of 80,000 square meters. We have more than 300 employees.

Our company adopted domestically advanced high-speed twin-screw production lines, co-extrusion production lines for color profiles and other production equipment, with the annual capacity of 40,000 Tons of uPVC profiles, meanwhile the profiles are automatically pasted the rubber gasket, its very durable and labor save, the products ranges are 60 series sliding windows and doors, 60 series casement and tilt turn windows, 60 series casement doors, 80 series sliding windows and doors, 80 series casement doors, and 88 series sliding doors, some more new series are under development, such as 62series, 75 series.90 series .etc. We use ASA material to do the co-extrusion on the surface of the profiles which has two advantages,first this color is decorative second its highly anti-uv, its very helpful for these hot countries, now we have 192 colors are available.

Our R&D center has advanced testing for raw materials and finished product testing equipment. The profiles of various chemical composition and physicochemical properties are tested and analyzed, with research institutes and the united strength. Our company is committed to the research and development. Until now our company already has had a number of patents and scientific and technological achievements, which greatly enhanced our competitiveness in the domestic and overseas markets, also our showroom covers 600 square meters, you can find many modern window and doors design here.

Our company has taken the lead in passing the certifications of ISO9001 Quality System and ISO14001 Environment System. The quality of our product is in accordance with GB/T8814-2004 national standard, with this strict quality standards more and more customers are coming to us, our main market are Southeast Asia, Middle East, South America, Africa. Etc .

"We are pleased to announce our strategic partnership with Winmax Upvc India Pvt.Ltd. to launch our premium uPVC profile in India ,catering to the growing demands of the Indian market"

#Globalpartnership#Winmaxindia#uPVCprofiles



02 03

PRODUCTION EQUIPMENT

04 05

COMPANY HONOR

06 07

PRODUCTION PLANT

08 08

PRODUCT ADVANTAGES

09 09

PRODUCTS LOADING

10 12

UPVC WINDOWS AND DOORS

13 22

PROFILE DRAWINGS

23 31

FABRICATION INSTRCUTION

32 32

PROFILES IMAGE





► **PRODUCTION PLANT**
WINMAX UPVC INDIA PVT.LTD.



- ◆ Make the smart choice win. WINMAX
- ◆ We source the best raw materials manufacturer uPVC profile without compromising on cost and quality
- ◆ Our facility equipped with completely automated compound mixed unit to produce the dry blend
- ◆ To avoid physical contamination, we have a well-equipped Automation System from CMU to Extruder Hopper.
- ◆ Since our compound superior, weather tests have proved that our profiles resist discolouration.
- ◆ Our uPVC profile come with a thickness ranging between $2.0 \pm 0.2\text{mm}$ and $2.8 \pm 0.2\text{mm}$
- ◆ Our in house laboratory is equipped for testing raw materials&finished goods. Every bath will be tested for all standard parameters.
- ◆ Our uPVC profiles exhibit excellent impact& heat resistance.
- ◆ Our uPVC profiles conform to the European standard specification, EN 12608:2003 and every uPVC profile is manufactured according to this standard.
- ◆ Our QC and production teams continuously monitor the quality of the product 24×7 .
- ◆ Our uPVC profiles have great inner wall bonding, inside gloss and finish, And these properties make us uPVC profiles much stronger.
- ◆ We have a batch identification printed on each main profile with the manufacturer name, line number,date&time for any future assistance if required.
- ◆ For transparency of quality testing, we carry out third-party testing for our uPVC profiles at reputed laboratories.
- ◆ WINMAX INDIA PVT LTD is certified: ISO 9001-2015







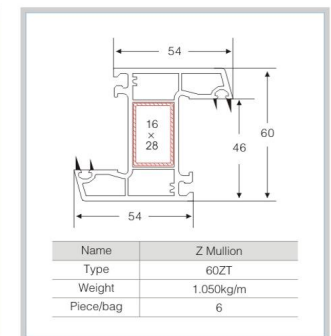
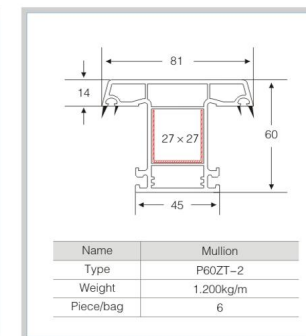
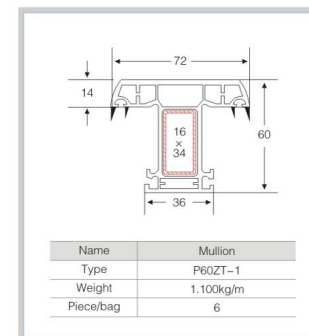
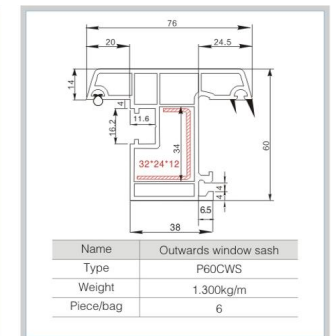
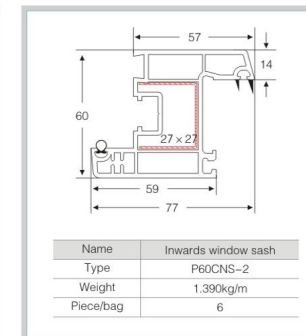
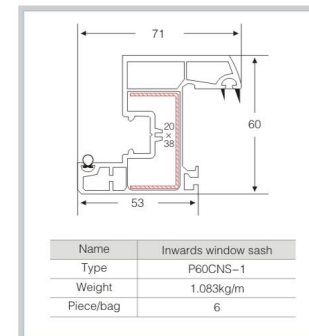
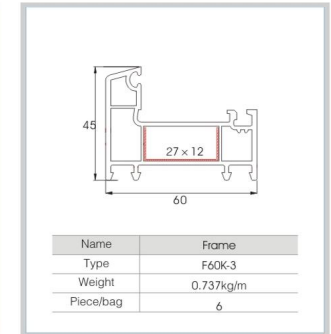
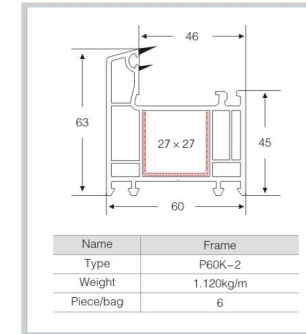
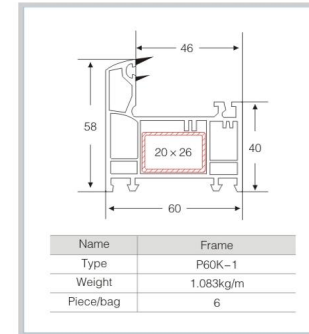
60mm casement series



Sliding Window



Casement Window



60mm casement series

60mm sliding series

Name	Architrave
Type	ZDGL
Weight	0.610kg/m
Piece/bag	20

Name	Coupling Tube
Type	PJ60PG
Weight	0.650kg/m
Piece/bag	6

Name	Coupling Board
Type	PJ60PB
Weight	0.150kg/m
Piece/bag	20

Name	Frame
Type	T60K-1
Weight	1.167kg/m
Piece/bag	4

Name	Sash
Type	T60S-1
Weight	1.02kg/m
Piece/bag	6

Name	Door sash
Type	T60S-3
Weight	1.180kg/m
Piece/bag	4

Name	42 door sash
Type	P60MS
Weight	1.000kg/m
Piece/bag	4

Name	Inwards door sash
Type	P60MNS
Weight	1.320kg/m
Piece/bag	4

Name	Outwards door sash
Type	P60MWS
Weight	1.440kg/m
Piece/bag	4

Name	Frame
Type	T60K-2
Weight	0.953kg/m
Piece/bag	4

Name	Sash
Type	T60S-2
Weight	0.867kg/m
Piece/bag	8

Name	Inter Seal
Type	T80(60)GM
Weight	0.367kg/m
Piece/bag	10

Name	Single glazing bead	Name	Single glazing bead
Type	P60DY	Type	P60DY-2
Weight	0.303kg/m	Weight	0.288kg/m
Piece/bag	20	Piece/bag	20

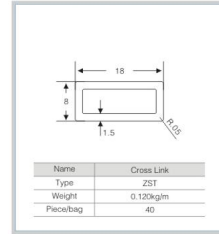
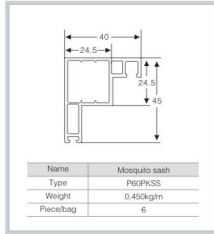
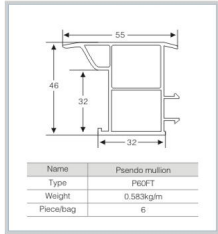
Name	Double glazing bead	Name	Double glazing bead
Type	P60SY-1	Type	P60SY-2
Weight	0.220kg/m	Weight	0.170kg/m
Piece/bag	30	Piece/bag	30

Name	Inter Seal
Type	T88(60)GM
Weight	0.320kg/m
Piece/bag	10

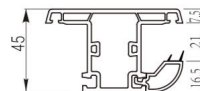
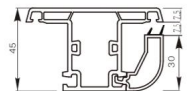
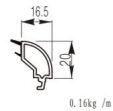
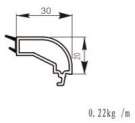
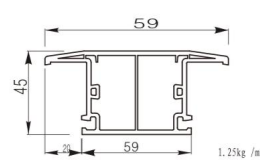
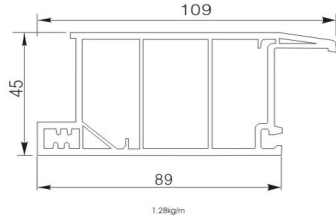
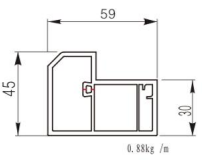
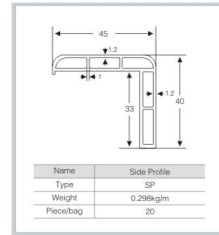
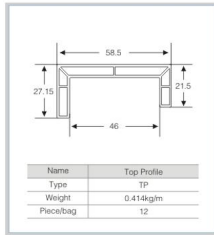
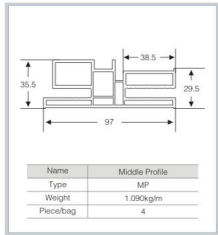
Name	90° corner
Type	PJ60ZJ-3
Weight	0.750kg/m
Piece/bag	4

Name	Door panel
Type	JJ150MB
Weight	0.883kg/m
Piece/bag	6

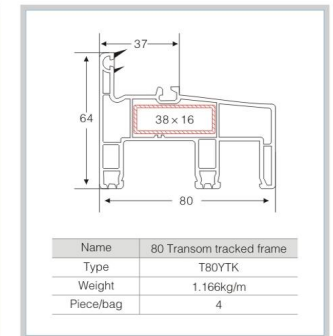
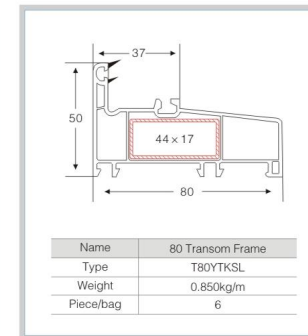
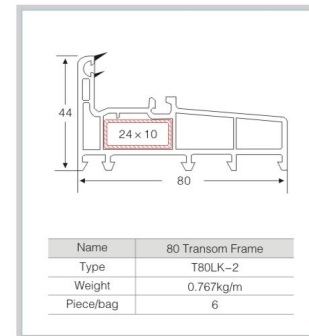
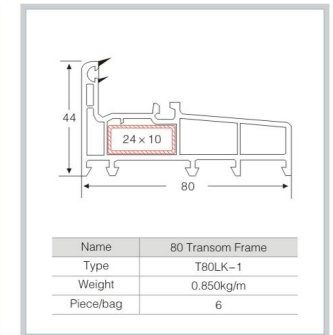
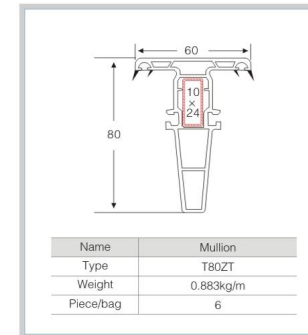
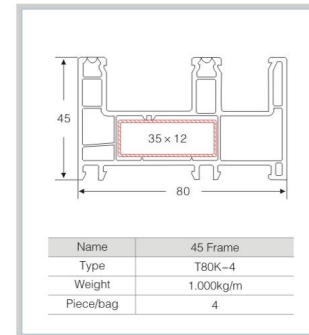
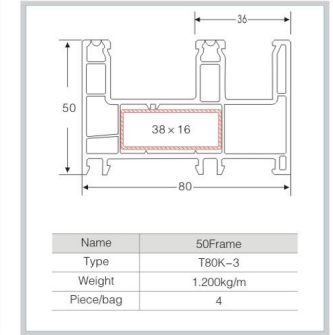
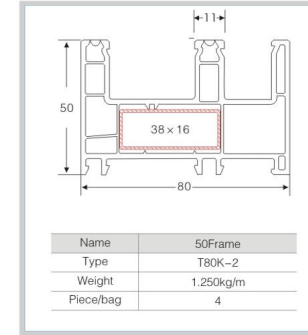
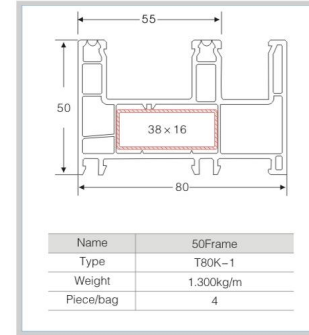
60mm sliding series



Customized Door Frame



80mm sliding series



80mm sliding series

80mm sliding series

Name	Sash
Type	T80CS-1
Weight	0.733kg/m
Piece/bag	8

Name	Sash
Type	T80CS-2
Weight	0.700kg/m
Piece/bag	8

Name	Sash
Type	T80CS-3
Weight	0.633kg/m
Piece/bag	8

Name	Coupling tube
Type	PJ80PG
Weight	0.817kg/m
Piece/bag	6

Name	Coupling board
Type	PJ80PB
Weight	0.167kg/m
Piece/bag	20

Name	Coupling
Type	PJ80(60)PT
Weight	0.112kg/m
Piece/bag	50

Name	Sash mullion
Type	T80(60)ST
Weight	0.550kg/m
Piece/bag	8

Name	Mosquito Sash
Type	T80(88)SS-1
Weight	0.533kg/m
Piece/bag	10

Name	Mosquito Sash
Type	T80(88)SS-2
Weight	0.417kg/m
Piece/bag	10

Name	Single Glazing Bead
Type	T80(60)DY-1
Weight	0.225kg/m
Piece/bag	20

Name	Double Glazing Bead	Name	Double Glazing Bead
Type	T80(60)SY-1	Type	T80(60)SY-2
Weight	0.133kg/m	Weight	0.133kg/m
Piece/bag	50	Piece/bag	50

Name	Interlock
Type	T80FG
Weight	0.167kg/m
Piece/bag	30

Name	Mosquito Sash
Type	T80(88)SS-3
Weight	0.367kg/m
Piece/bag	10

Name	Mosquito Sash
Type	T80(88)SS-4
Weight	0.712kg/m
Piece/bag	10

Name	90° corner
Type	PJ80ZJ-2
Weight	0.833kg/m
Piece/bag	4

Name	Louver Clip
Type	P60FG
Weight	0.43kg/m
Piece/bag	10

Name	Interlock
Type	T60FG-1
Weight	0.31kg/m
Piece/bag	15

Name	Interlock
Type	T60FG-3
Weight	0.134kg/m
Piece/bag	15

80mm sliding/casement series

88mm sliding series

Name	135° corner
Type	PJ-135ZJ
Weight	1.000kg/m
Piece/bag	4

Name	Universal post
Type	PJ-60GZ
Weight	0.700kg/m
Piece/bag	8

Name	Round post
Type	PJ-60YG
Weight	0.695kg/m
Piece/bag	4

Name	Frame
Type	T88K-1
Weight	1.470kg/m
Piece/bag	4

Name	Frame
Type	T88K-2
Weight	1.320kg/m
Piece/bag	4

Name	92 Frame
Type	T92K-1
Weight	1.39kg/m
Piece/bag	4

Name	Door frame
Type	P80MK
Weight	0.833kg/m
Piece/bag	4

Name	Door sash
Type	P80MS
Weight	1.167kg/m
Piece/bag	4

Name	Door mullion
Type	P80MT
Weight	1.000kg/m
Piece/bag	6

Name	3 Track Frame
Type	T109K-1
Weight	1.77kg/m
Piece/bag	4

Name	Sash
Type	T88CS-1
Weight	0.880kg/m
Piece/bag	8

Name	Sash
Type	T88CS-2
Weight	0.770kg/m
Piece/bag	8

Name	50 Frame
Type	P50K-1
Weight	0.883kg/m
Piece/bag	6

Name	Sash Mullion
Type	T88ST
Weight	0.710kg/m
Piece/bag	8

Name	Interlock
Type	T88FG
Weight	0.233kg/m
Piece/bag	30

88mm sliding series

Name	Mullion
Type	T88ZT
Weight	1.060kg/m
Piece/bag	6

Name	Transom Frame
Type	T88LK-2
Weight	0.940kg/m
Piece/bag	6

Name	Transom tracked frame
Type	T88YTK
Weight	1.500kg/m
Piece/bag	4

Name	Single glazing bead	Name	Double glazing bead
Type	T88DY	Type	T88SY
Weight	0.237kg/m	Weight	0.167kg/m
Piece/bag	20	Piece/bag	50

Name	Coupling board
Type	PJ88PB
Weight	0.300kg/m
Piece/bag	20

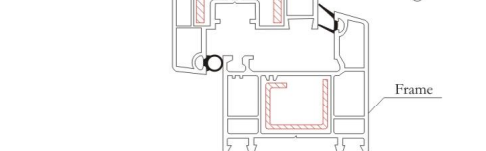
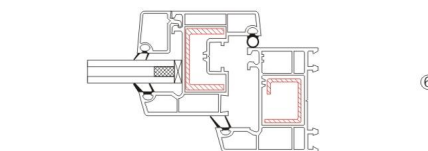
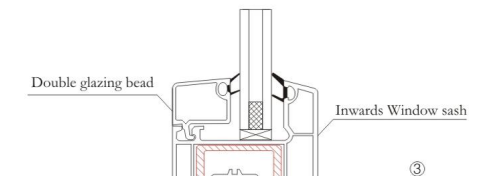
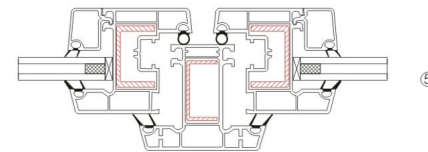
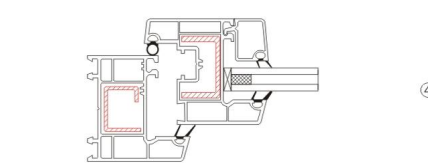
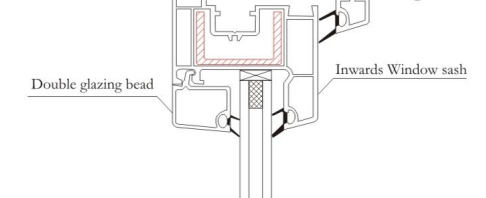
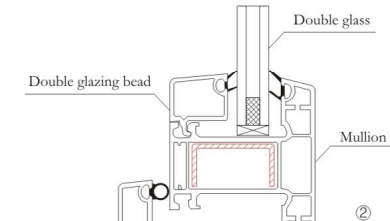
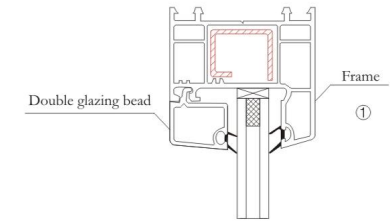
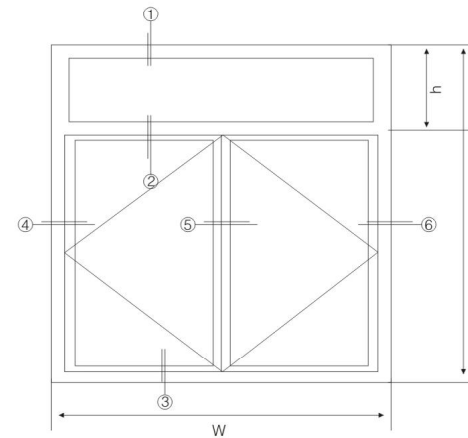
Name	Coupling tube
Type	PJ88PG
Weight	0.850kg/m
Piece/bag	6

Name	90° corner
Type	PJ88ZJ
Weight	1.000kg/m
Piece/bag	4

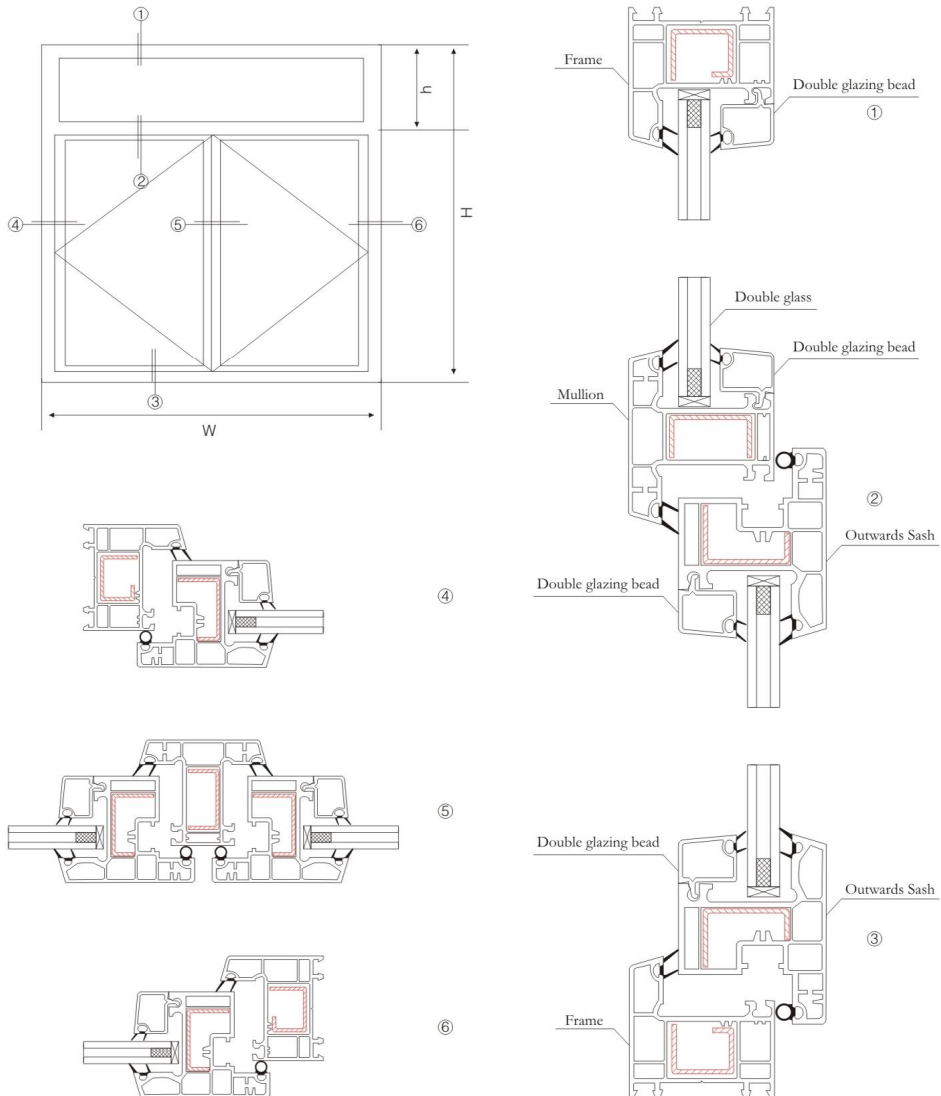
Name	Coupling Board
Type	PJ60(88)PB
Weight	0.41kg/m
Piece/bag	10

Name	Mesh Sash Mullion
Type	T88ST
Weight	0.44kg/m
Piece/bag	10

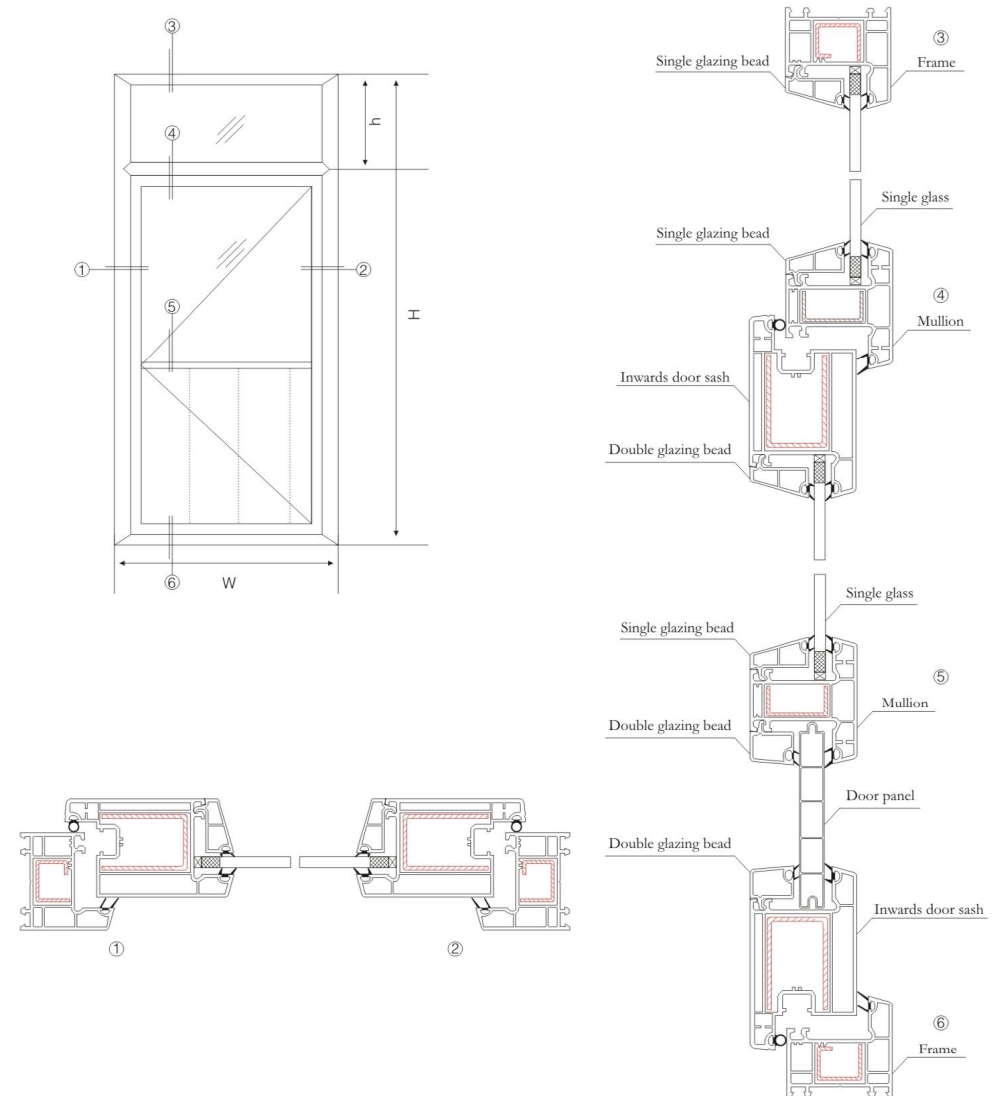
60mm inwards open window



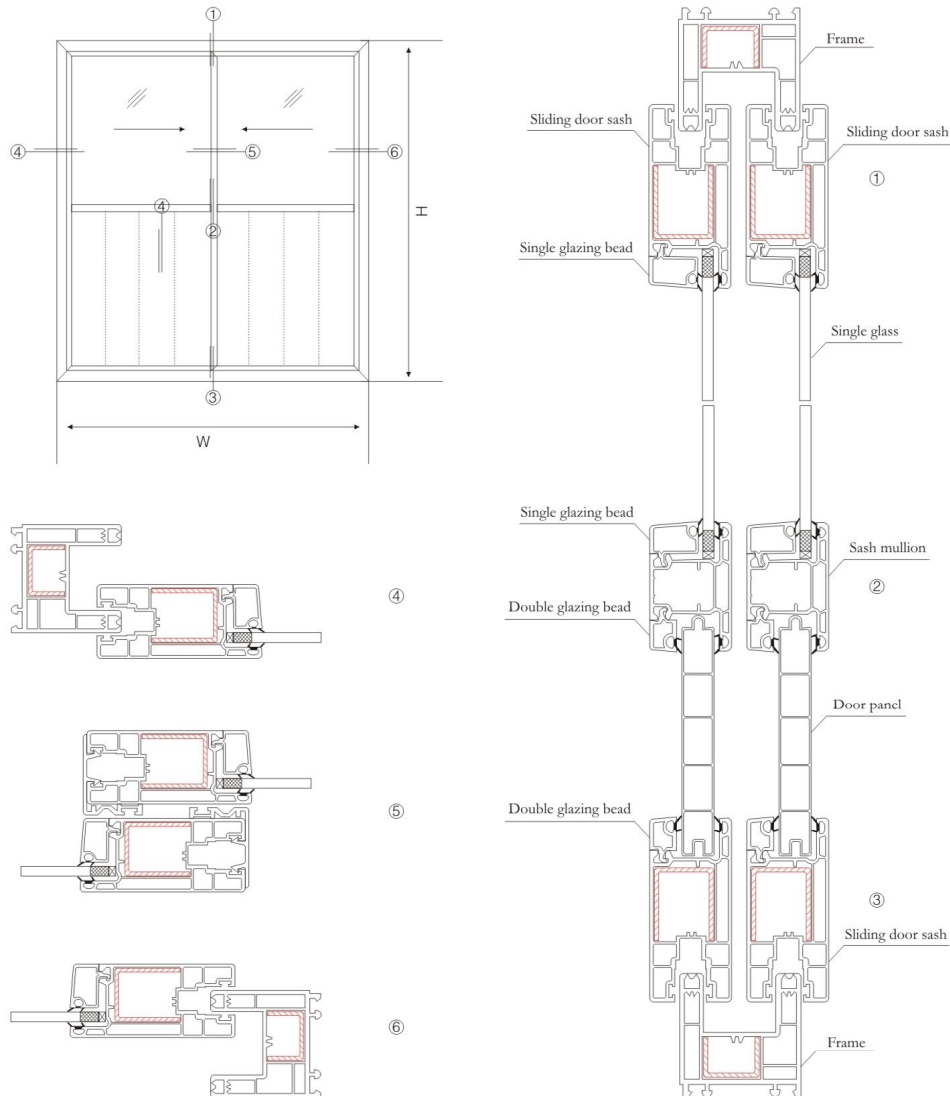
60mm outwards open window



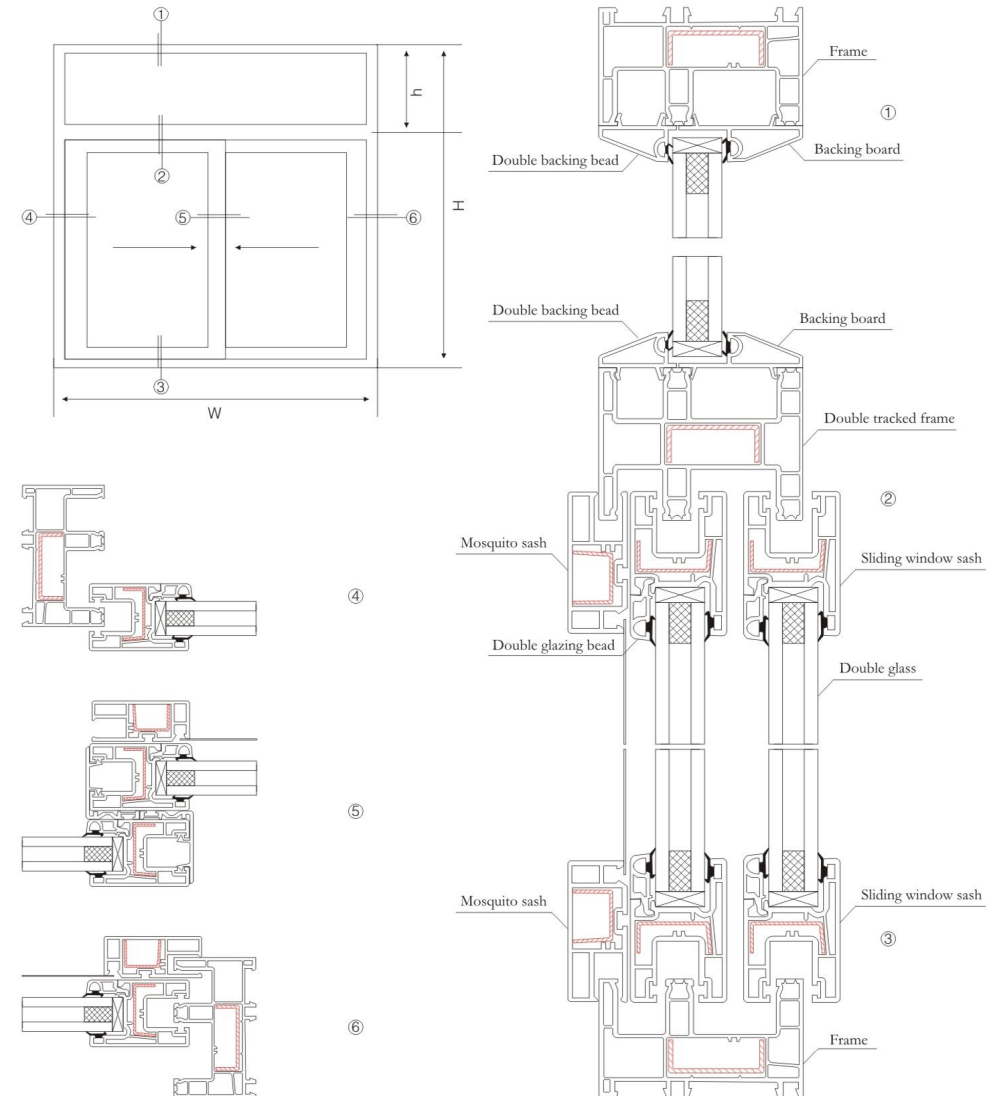
60mm inwards open door



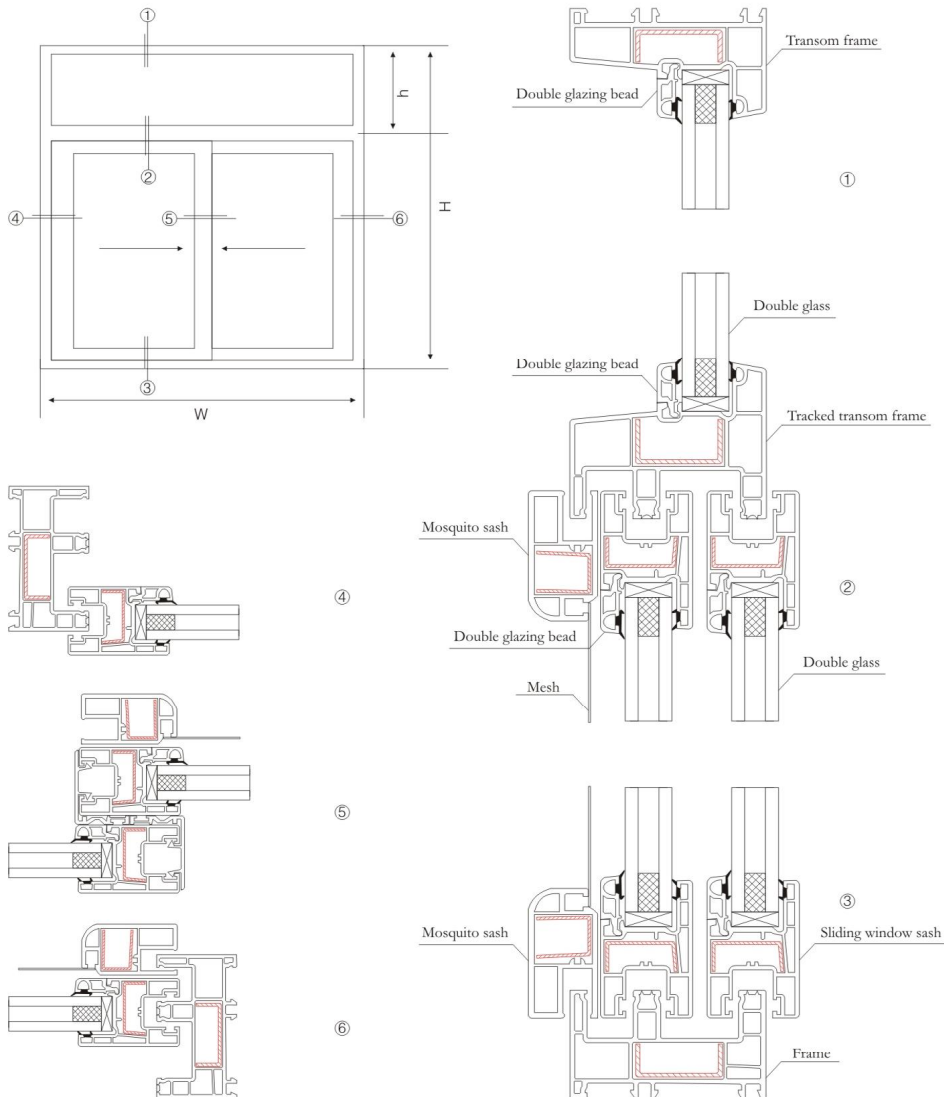
60mm sliding door



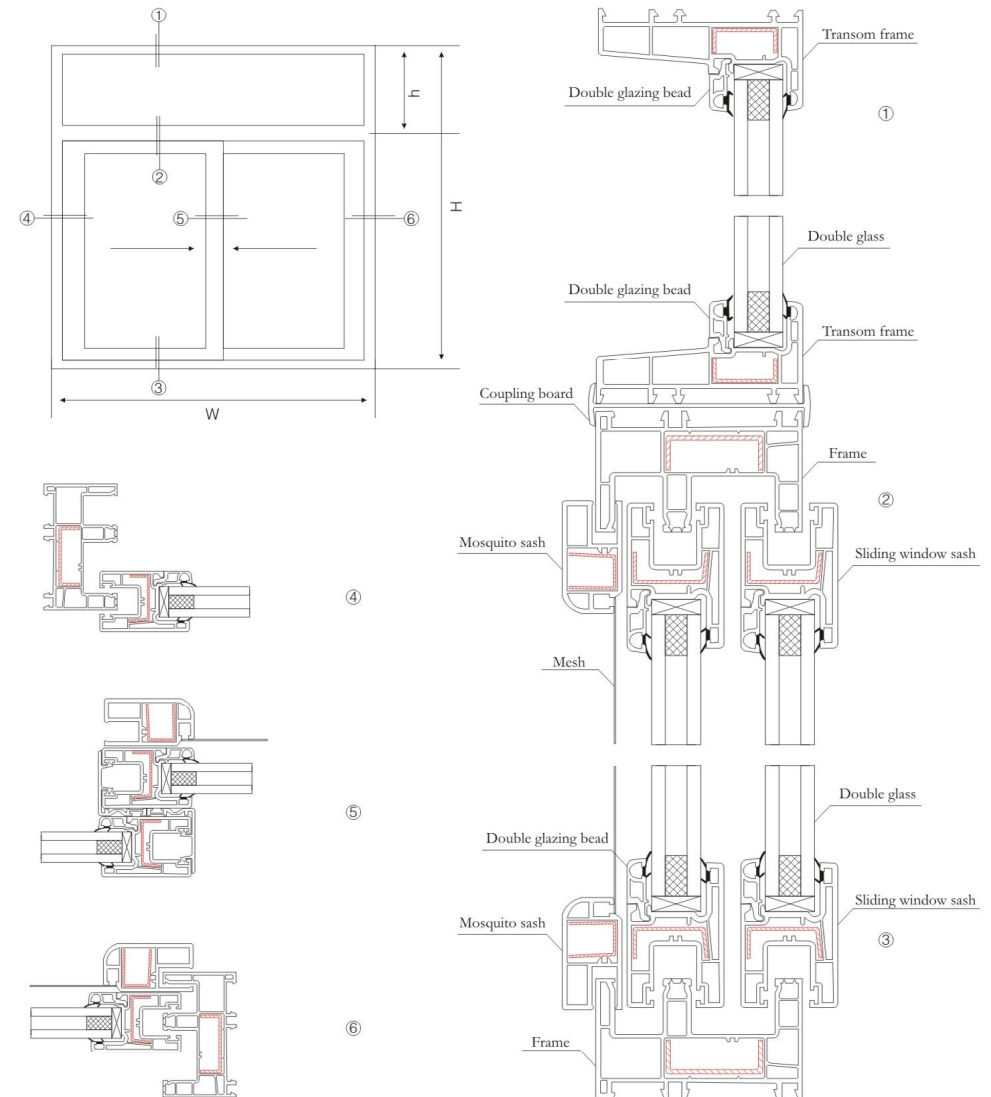
80mm sliding window 1st design



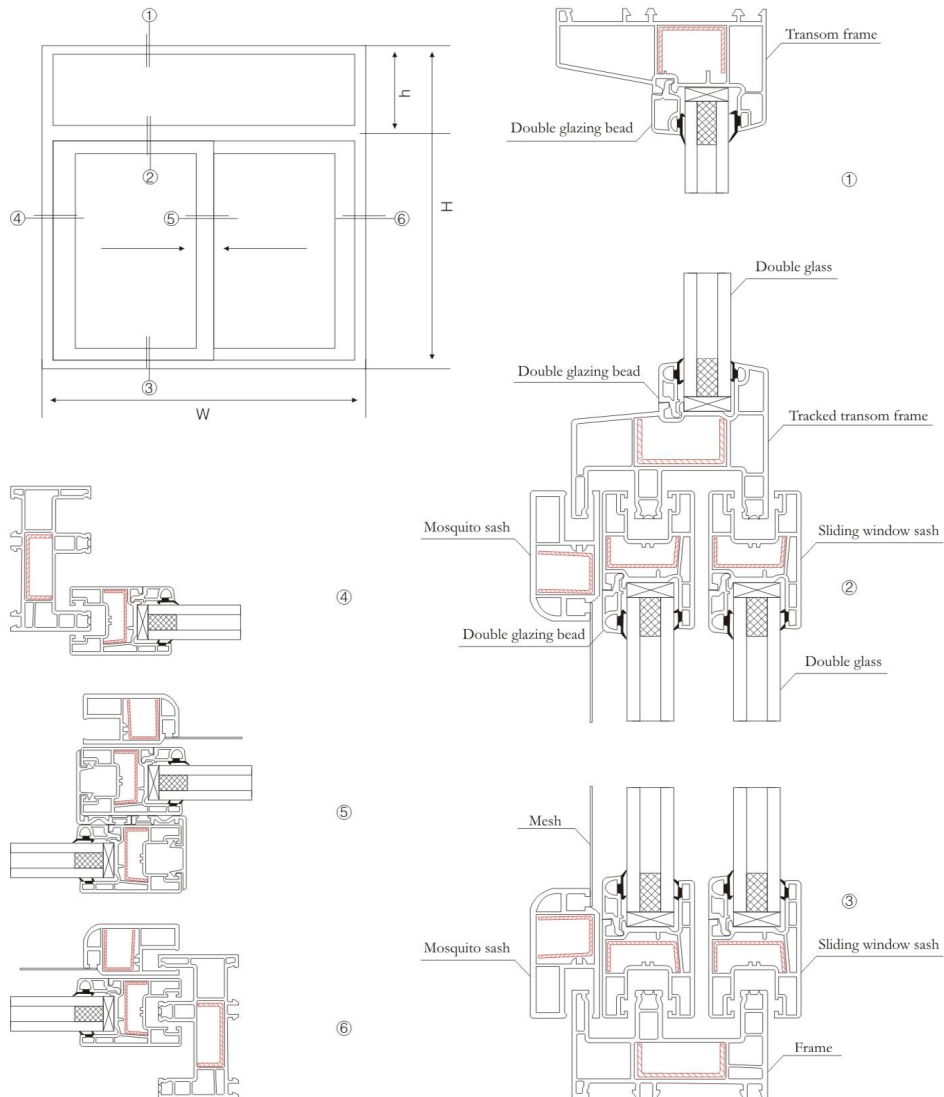
80mm Sliding Window 2nd Design



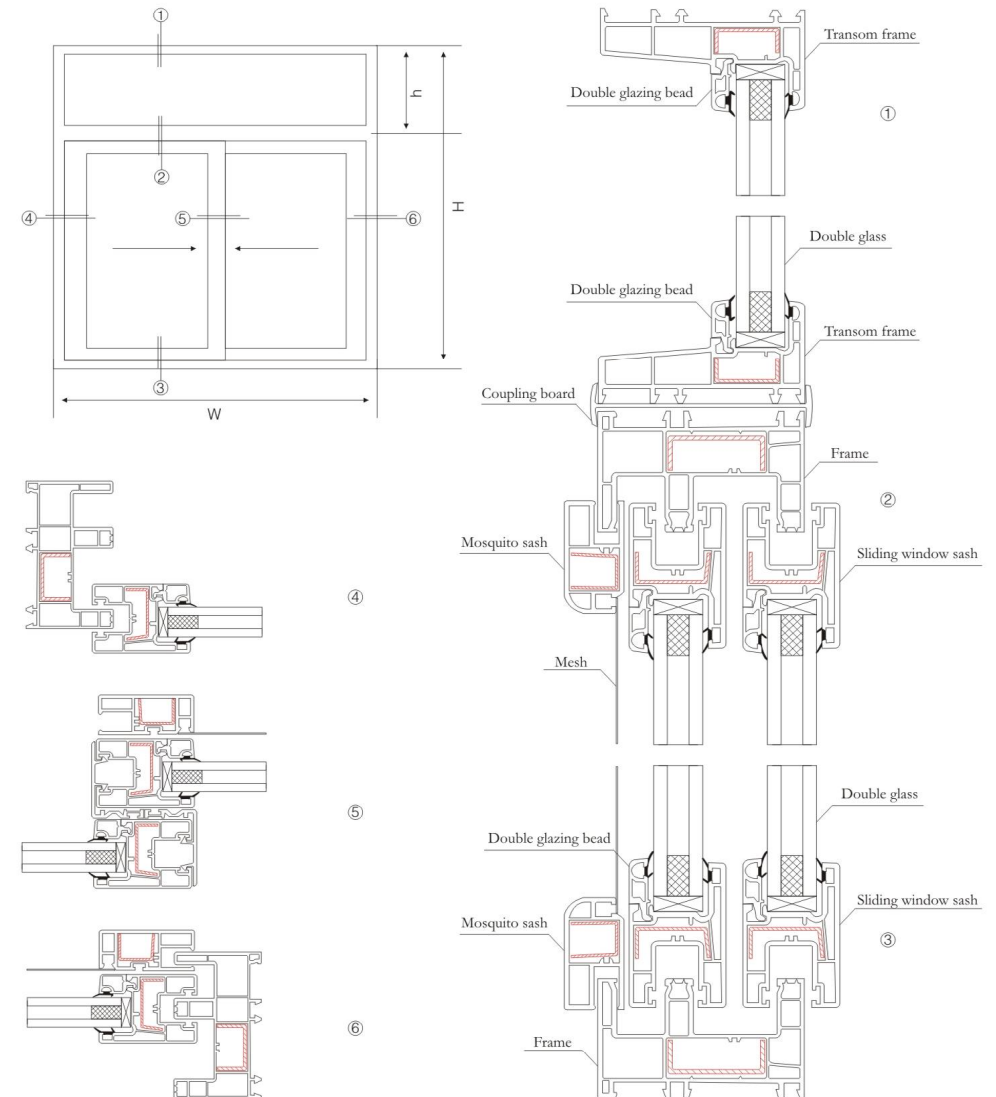
80mm Sliding Window 3rd Design



88mm Sliding Window 1st Design



88mm Sliding Window 2nd Design



Product Image



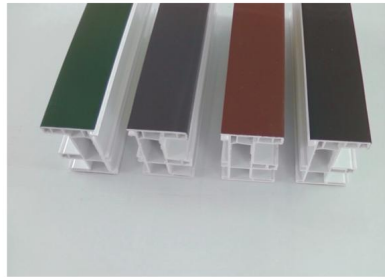
Wood profile



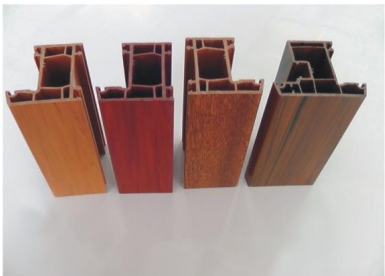
ASA color profile



Laminated color profiles



Co-extruded color profiles



uPVC profiles for window and door



Wood Laminated Profile

